

TECHNICAL DATASHEET

TOPLA ENERGY TRUCK ET14M

ORDER INFORMATION

TAB ID

Short Code

ET14M

DIN Marking

64323

EAN Code

3838807036802

Quantity per EU/CNT pallet

21/35 pcs

TECHNOLOGY

Primary Function

Engine Start

Battery Technology

Flooded

Grid Type (pos/neg)

Casted/Concasted

Grid Alloy (pos/neg)

Sb/Ca

Separator

PE

Electrolyte (g/cm³)

1,28

TECHNICAL INFORMATION

Voltage (V)

12

Capacity C20 (Ah)

143

CCA -18°C EN (A)

900

RC (min)

276

LxWxH (mm)

509x216x184/210

Total Weight (kg)

38.7

BOX DESIGN

Box Type

MAC143

Cover Type

Flat

Colour

Black

Layout

3

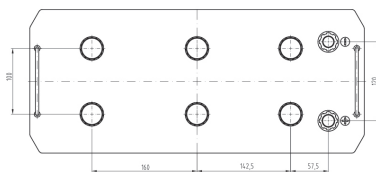
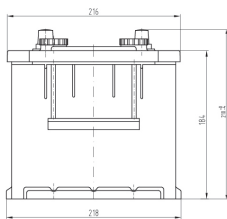
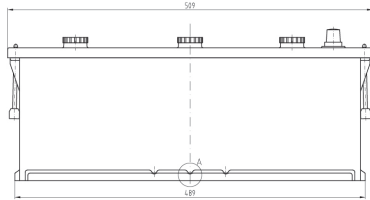
BHD

B3

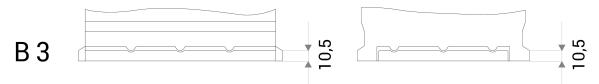
Terminal

1

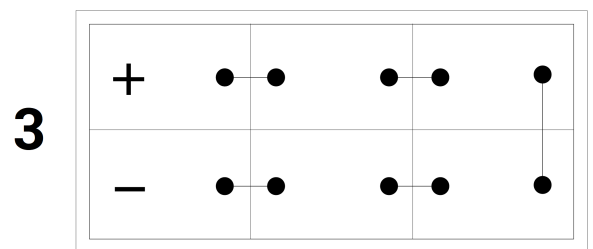
DRAWING



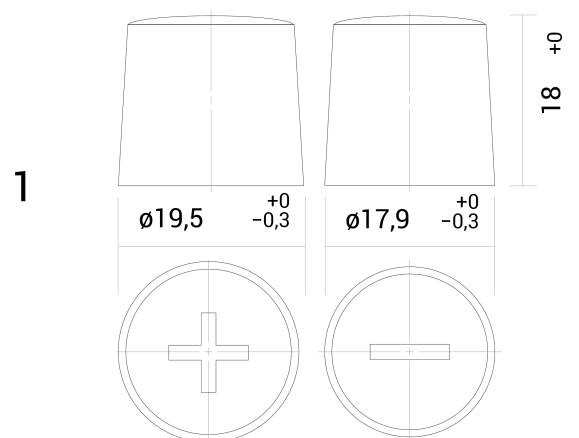
BHD



LAYOUT



TERMINAL



TECHNICAL DATASHEET

TOPLA ENERGY TRUCK ET14M

TAB d.d, Polena 6, SI-2392 Mežica, Slovenia, www.tab.si