



TECHNICAL DATASHEET

VESNA POWER TRUCK VT13A

ORDER INFORMATION

TAB ID

1003047

Short Code

VT13A

DIN Marking

63530

EAN Code

3838807036956

Quantity per EU/CNT pallet

24/35 pcs

TECHNOLOGY

Primary Function

Engine Start

Battery Technology

Flooded

Grid Type (pos/neg)

Casted/Concasted

Grid Alloy (pos/neg)

Sb/Ca

Separator

PE

Electrolyte (g/cm³)

1,28

TECHNICAL INFORMATION

Voltage (V)

12

Capacity C20 (Ah)

135

CCA -18°C EN (A)

850

RC (min)

258

LxWxH (mm)

513x189x194/220

Total Weight (kg)

35.6

BOX DESIGN

Box Type

A

Cover Type

Flat

Colour

Black

Layout

3

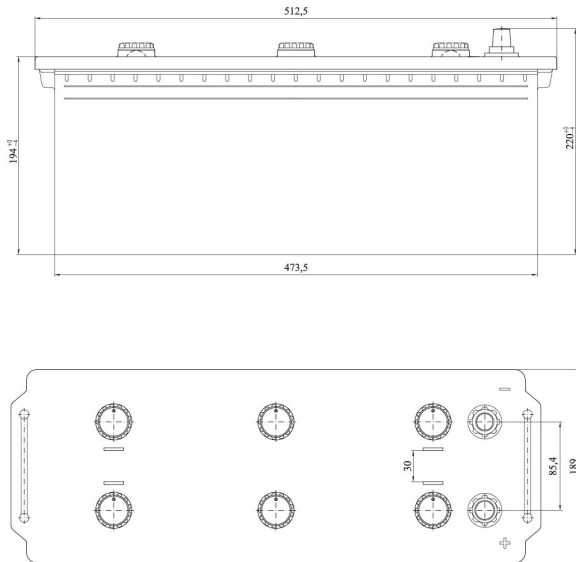
BHD

B0

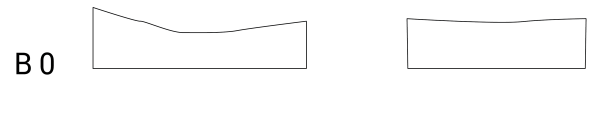
Terminal

1

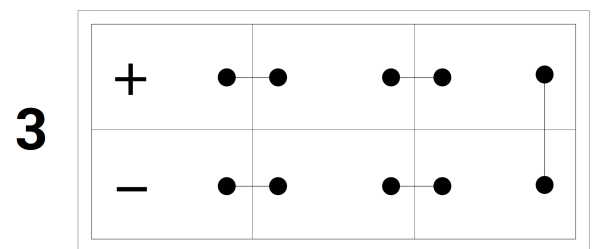
DRAWING



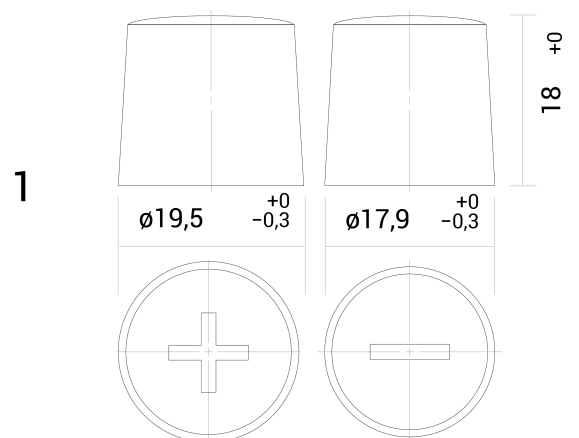
BHD



LAYOUT



TERMINAL



TECHNICAL DATASHEET

VESNA POWER TRUCK VT13A

TAB d.d, Polena 6, SI-2392 Mežica, Slovenia, www.tab.si