



TECHNICAL DATASHEET

VESNA POWER TRUCK VT22

ORDER INFORMATION

TAB ID

1003050

Short Code

VT22

DIN Marking

72527

EAN Code

3838807037007

Quantity per EU/CNT pallet

18/24 pcs

TECHNOLOGY

Primary Function

Engine Start

Battery Technology

Flooded

Grid Type (pos/neg)

Casted/Concasted

Grid Alloy (pos/neg)

Sb/Ca

Separator

PE

Electrolyte (g/cm³)

1,28

TECHNICAL INFORMATION

Voltage (V)

12

Capacity C20 (Ah)

225

CCA -18°C EN (A)

1300

RC (min)

469

LxWxH (mm)

518x273x214/241

Total Weight (kg)

56.1

BOX DESIGN

Box Type

C

Cover Type

Flat

Colour

Black

Layout

3

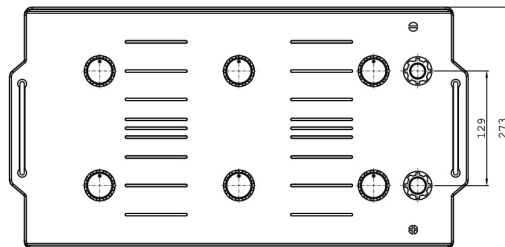
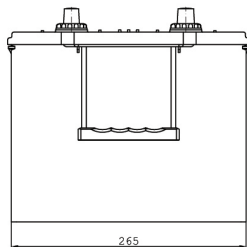
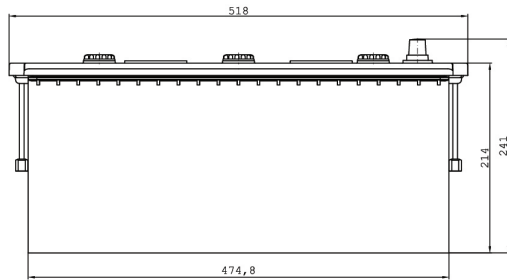
BHD

B0

Terminal

1

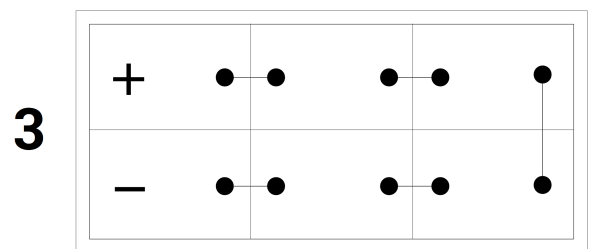
DRAWING



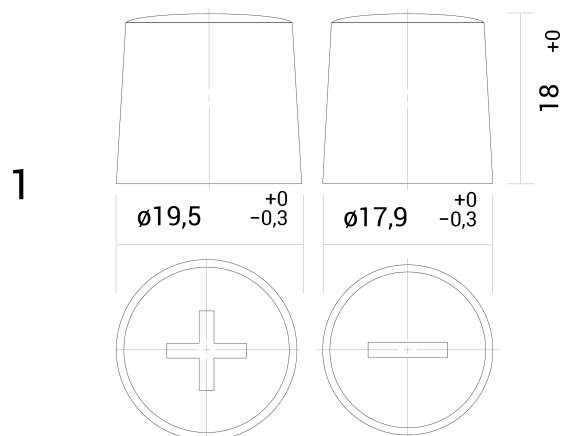
BHD



LAYOUT



TERMINAL



TECHNICAL DATASHEET

VESNA POWER TRUCK VT22