



# TECHNICAL DATASHEET

## TOPLA EFB STOP&GO TSG65JX

### ORDER INFORMATION

TAB ID

**1000245**

Short Code

**TSG65JX**

DIN Marking

**56569 EFB**

EAN Code

**3838807038608**

Quantity per EU/CNT pallet

**60/90 pcs**

### TECHNOLOGY

Primary Function

**Start/Stop Functionality**

Battery Technology

**EFB - Enhanced Flooded Battery**

Grid Type (pos/neg)

**Expanded/Concasted**

Grid Alloy (pos/neg)

**Ca/Ca**

Separator

**PE**

Electrolyte (g/cm<sup>3</sup>)

**1,28**

### TECHNICAL INFORMATION

Voltage (V)

**12**

Capacity C20 (Ah)

**65**

CCA -18°C EN (A)

**600**

RC (min)

**110**

LxWxH (mm)

**230x173x200/220**

Total Weight (kg)

**17.1**

### BOX DESIGN

Box Type

**D23**

Cover Type

**SMF**

Colour

**Black**

Layout

**1**

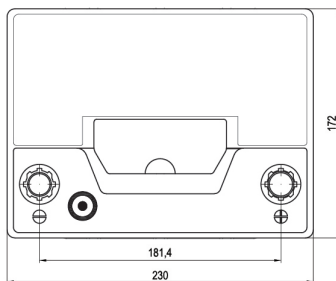
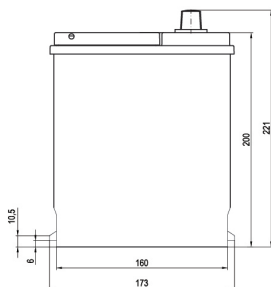
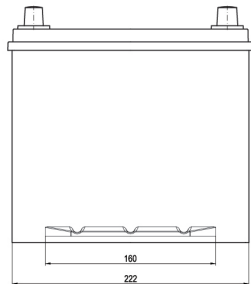
BHD

**B01**

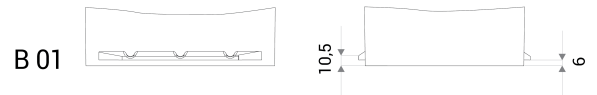
Terminal

**1**

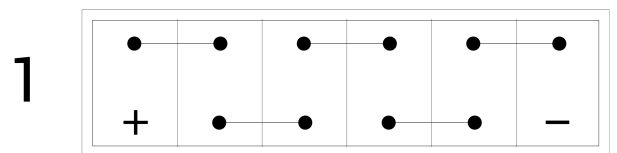
## DRAWING



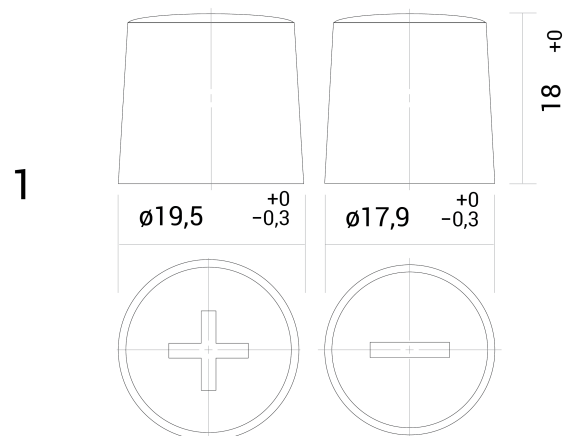
## BHD



## LAYOUT



## TERMINAL



# TECHNICAL DATASHEET

## TOPLA EFB STOP&GO TSG65JX

TAB d.d, Polena 6, SI-2392 Mežica, Slovenia, [www.tab.si](http://www.tab.si)