



## TECHNICAL DATASHEET

# TOPLA AGM STOP&GO TAG70

### ORDER INFORMATION

TAB ID

**1000259**

Short Code

**TAG70**

DIN Marking

**L3 AGM**

EAN Code

**3838807036321**

Quantity per EU/CNT pallet

**51/80 pcs**

### TECHNOLOGY

Primary Function

**Advanced Start/Stop Functionality**

Battery Technology

**AGM - Absorbent Glass Mat**

Grid Type (pos/neg)

**Casted/Concasted**

Grid Alloy (pos/neg)

**Ca/Ca**

Separator

**GM**

Electrolyte (g/cm<sup>3</sup>)

**1,3**

### TECHNICAL INFORMATION

Voltage (V)

**12**

Capacity C20 (Ah)

**70**

CCA -18°C EN (A)

**760**

RC (min)

**130**

LxWxH (mm)

**278x175x190**

Total Weight (kg)

**20.5**

### BOX DESIGN

Box Type

**L3**

Cover Type

**Sealed**

Colour

**Black**

Layout

**0**

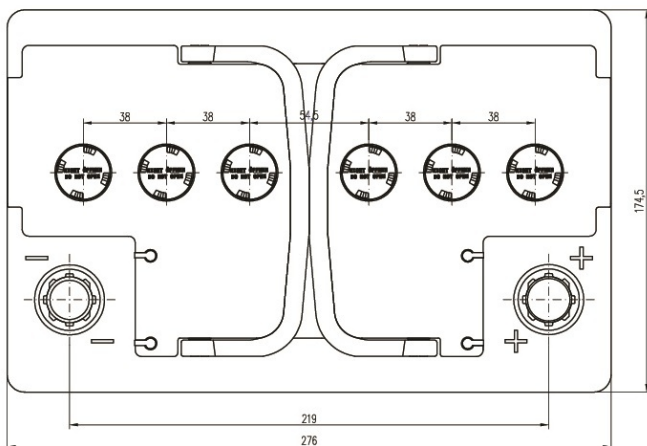
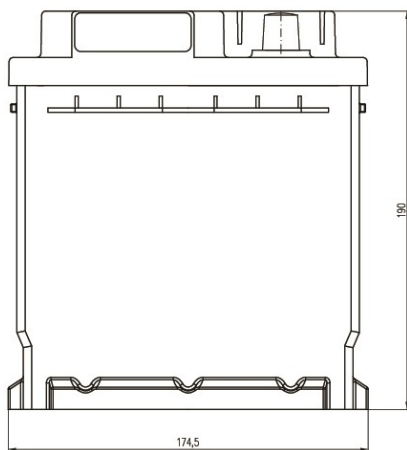
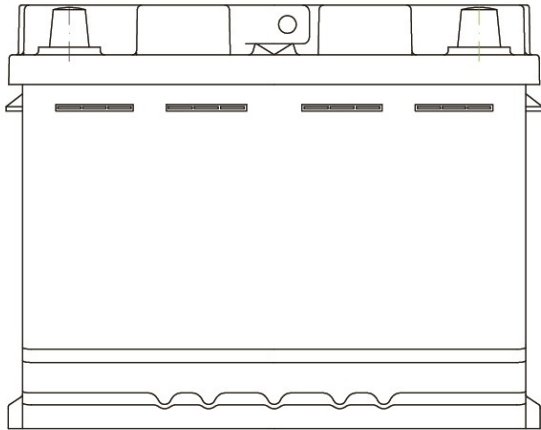
BHD

**B13**

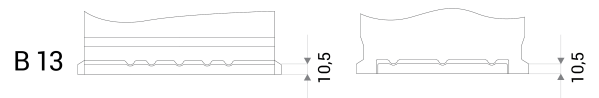
Terminal

**1**

## DRAWING



## BHD



## LAYOUT



## TERMINAL



# TECHNICAL DATASHEET

## TOPLA AGM STOP&GO TAG70

TAB d.d, Polena 6, SI-2392 Mežica, Slovenia, [www.tab.si](http://www.tab.si)