



## TECHNICAL DATASHEET

### TOPLA TOP TT54

#### ORDER INFORMATION

TAB ID

**1000312**

Short Code

**TT54**

DIN Marking

**55401 SMF**

EAN Code

**3838807027541**

Quantity per EU/CNT pallet

**72/120 pcs**

#### TECHNOLOGY

Primary Function

**Engine Start**

Battery Technology

**Flooded**

Grid Type (pos/neg)

**Expanded/Concasted**

Grid Alloy (pos/neg)

**Ca/Ca**

Separator

**PE**

Electrolyte (g/cm<sup>3</sup>)

**1,28**

#### TECHNICAL INFORMATION

Voltage (V)

**12**

Capacity C20 (Ah)

**54**

CCA -18°C EN (A)

**510**

RC (min)

**88**

LxWxH (mm)

**207x175x175**

Total Weight (kg)

**12.3**

#### BOX DESIGN

Box Type

**L1B**

Cover Type

**SMF**

Colour

**Black**

Layout

**0**

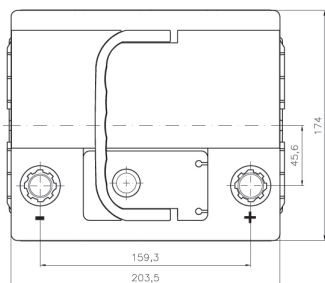
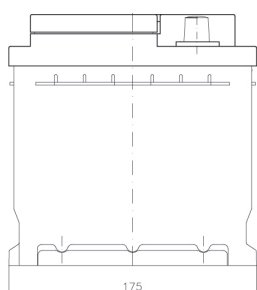
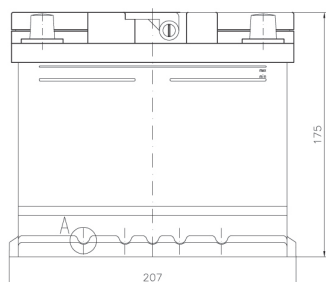
BHD

**B13**

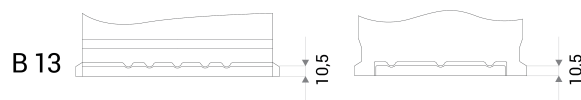
Terminal

**1**

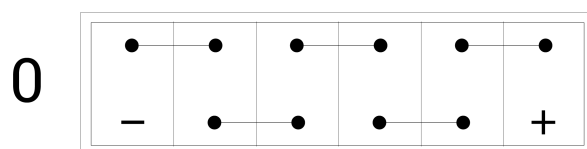
## DRAWING



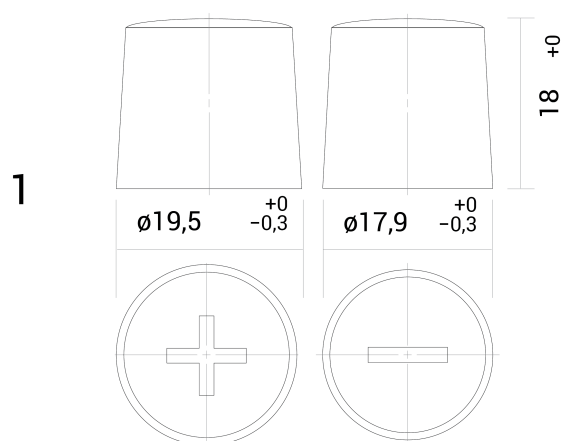
## BHD



## LAYOUT



## TERMINAL



## TECHNICAL DATASHEET

### TOPLA TOP TT54