



TECHNICAL DATASHEET

TOPLA TOP TT55H

ORDER INFORMATION

TAB ID

1000313

Short Code

TT55H

DIN Marking

55510 SMF

EAN Code

3838807027558

Quantity per EU/CNT pallet

72/100 pcs

TECHNOLOGY

Primary Function

Engine Start

Battery Technology

Flooded

Grid Type (pos/neg)

Expanded/Concasted

Grid Alloy (pos/neg)

Ca/Ca

Separator

PE

Electrolyte (g/cm³)

1,28

TECHNICAL INFORMATION

Voltage (V)

12

Capacity C20 (Ah)

55

CCA -18°C EN (A)

560

RC (min)

90

LxWxH (mm)

207x175x190

Total Weight (kg)

12.8

BOX DESIGN

Box Type

L1

Cover Type

SMF

Colour

Black

Layout

0

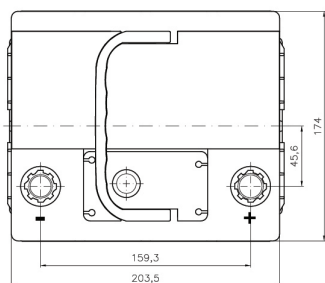
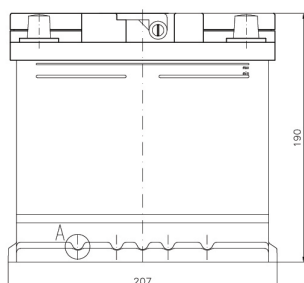
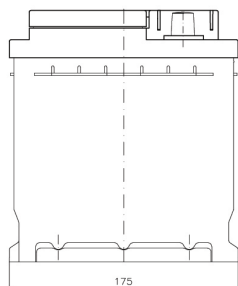
BHD

B13

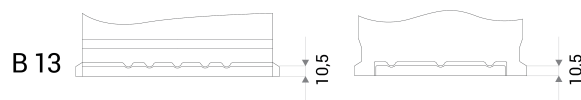
Terminal

1

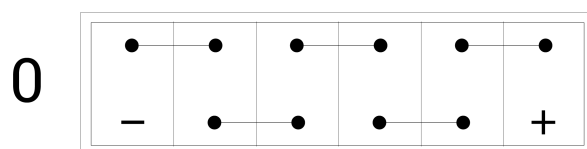
DRAWING



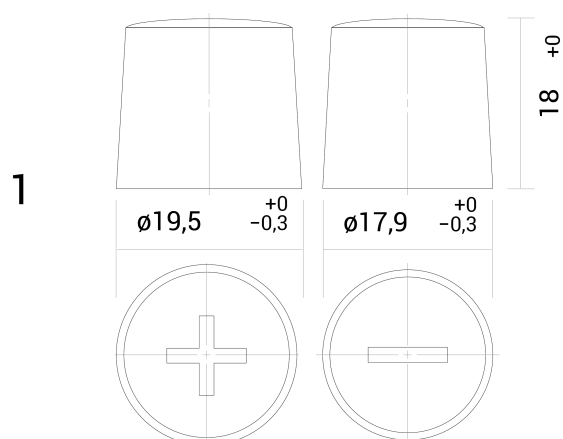
BHD



LAYOUT



TERMINAL



TECHNICAL DATASHEET

TOPLA TOP TT55H