



TECHNICAL DATASHEET

TAB POLAR TRUCK TR14B

ORDER INFORMATION

TAB ID
149913

Short Code
TR14B

DIN Marking
64518

EAN Code
3838807040595

Quantity per EU/CNT pallet
21/35 pcs

TECHNOLOGY

Primary Function
Engine Start

Battery Technology
Flooded

Grid Type (pos/neg)
Casted/Concasted

Grid Alloy (pos/neg)
Sb/Ca

Separator
PE

Electrolyte (g/cm³)
1,28

TECHNICAL INFORMATION

Voltage (V)
12

Capacity C20 (Ah)
145

CCA -18°C EN (A)
900

RC (min)
280

LxWxH (mm)
512x222x194/221

Total Weight (kg)
39.6

BOX DESIGN

Box Type
B

Cover Type
Flat

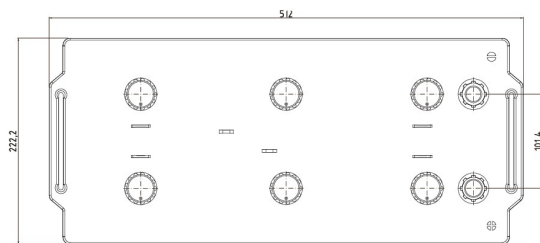
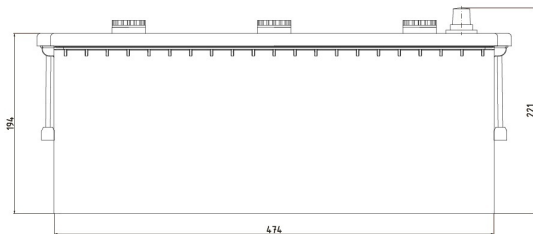
Colour
Black

Layout
3

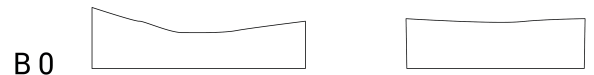
BHD
B0

Terminal
1

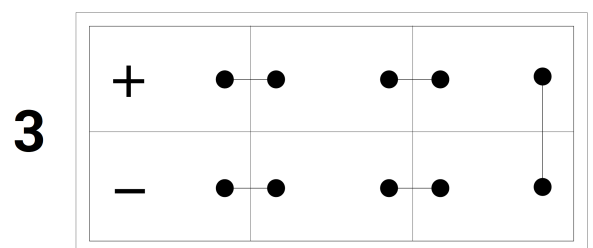
DRAWING



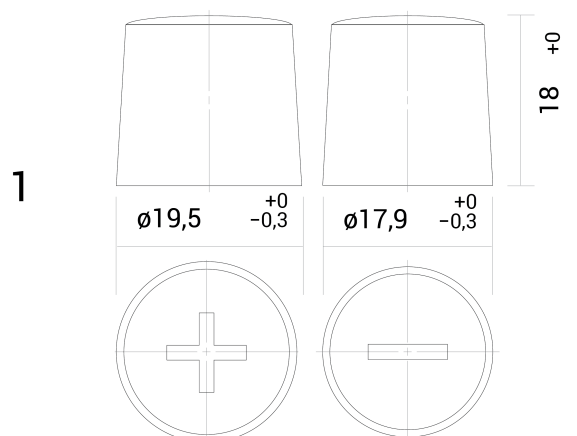
BHD



LAYOUT



TERMINAL



TECHNICAL DATASHEET

TAB POLAR TRUCK TR14B