



TECHNICAL DATASHEET

TAB POLAR TRUCK TR17R

ORDER INFORMATION

TAB ID
151913

Short Code
TR17R

DIN Marking
67019

EAN Code
3838807040618

Quantity per EU/CNT pallet
21/28 pcs

TECHNOLOGY

Primary Function
Engine Start

Battery Technology
Flooded

Grid Type (pos/neg)
Casted/Concasted

Grid Alloy (pos/neg)
Sb/Ca

Separator
PE

Electrolyte (g/cm³)
1,28

TECHNICAL INFORMATION

Voltage (V)
12

Capacity C20 (Ah)
170

CCA -18°C EN (A)
1050

RC (min)
338

LxWxH (mm)
512x222x194/221

Total Weight (kg)
42.7

BOX DESIGN

Box Type
B

Cover Type
Flat

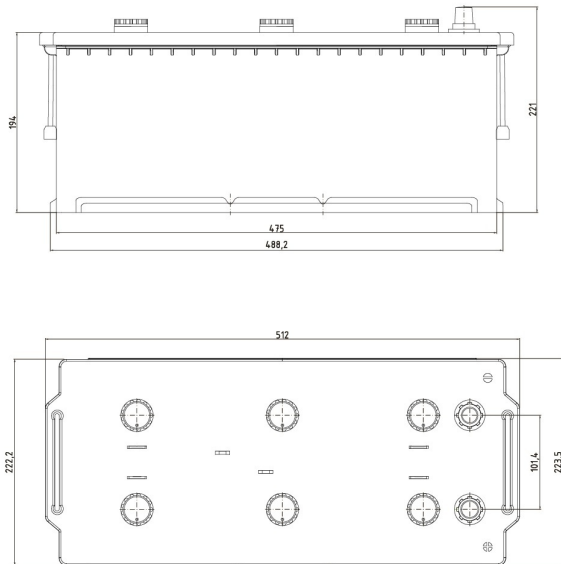
Colour
Black

Layout
4

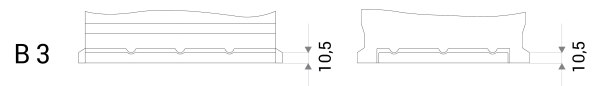
BHD
B3

Terminal
1

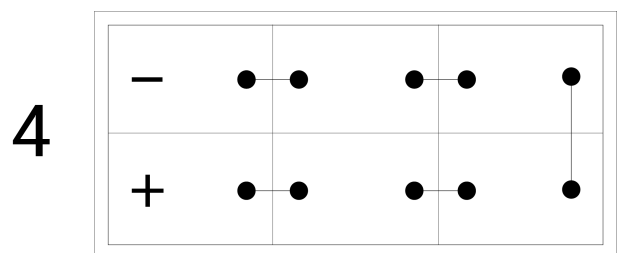
DRAWING



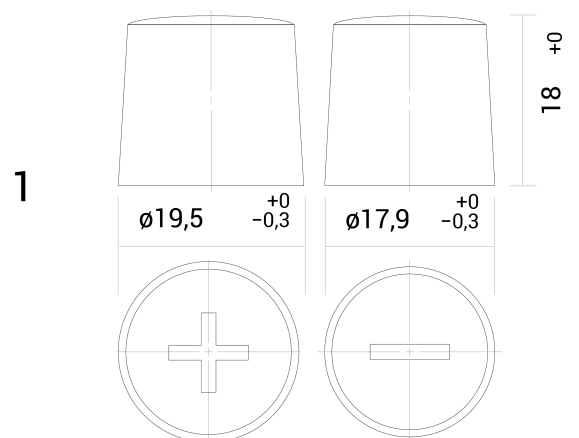
BHD



LAYOUT



TERMINAL



TECHNICAL DATASHEET

TAB POLAR TRUCK TR17R