



## TECHNICAL DATASHEET

### VESNA POWER TRUCK VT11

#### ORDER INFORMATION

TAB ID

**1000856**

Short Code

**VT11**

DIN Marking

**61028**

EAN Code

**3838807025561**

Quantity per EU/CNT pallet

**36/48 pcs**

#### TECHNOLOGY

Primary Function

**Engine Start**

Battery Technology

**Flooded**

Grid Type (pos/neg)

**Expanded/Concasted**

Grid Alloy (pos/neg)

**Ca/Ca**

Separator

**PE**

Electrolyte (g/cm<sup>3</sup>)

**1,28**

#### TECHNICAL INFORMATION

Voltage (V)

**12**

Capacity C20 (Ah)

**110**

CCA -18°C EN (A)

**800**

RC (min)

**203**

LxWxH (mm)

**345x172x218/238**

Total Weight (kg)

**26.5**

#### BOX DESIGN

Box Type

**60528**

Cover Type

**Flat**

Colour

**Black**

Layout

**0**

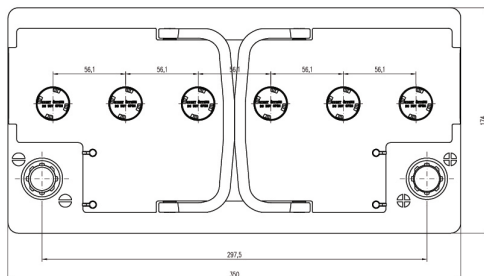
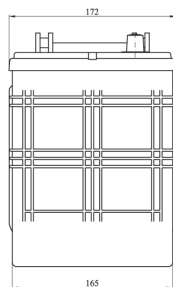
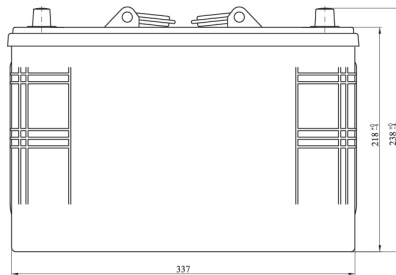
BHD

**B0**

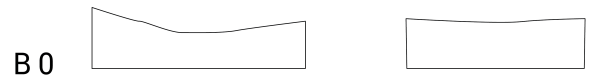
Terminal

**1**

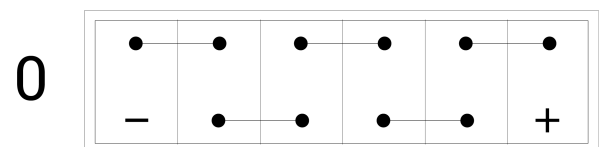
## DRAWING



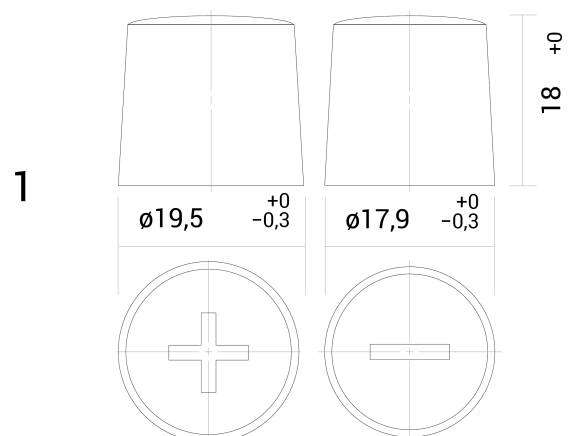
## BHD



## LAYOUT



## TERMINAL



# TECHNICAL DATASHEET

## VESNA POWER TRUCK VT11