



TECHNICAL DATASHEET

TAB EFB STOP&GO TRUCK SG24

ORDER INFORMATION

TAB ID
455612

Short Code
SG24

DIN Marking
74027 EFB

EAN Code
3838807042773

Quantity per EU/CNT pallet
18/24 pcs

TECHNOLOGY

Primary Function
Engine Start

Battery Technology
EFB - Enhanced Flooded Battery

Grid Type (pos/neg)
Casted/Concasted

Grid Alloy (pos/neg)
Ca/Ca

Separator
PE+GM

Electrolyte (g/cm³)
1,28

TECHNICAL INFORMATION

Voltage (V)
12

Capacity C20 (Ah)
240

CCA -18°C EN (A)
1250

RC (min)
506

LxWxH (mm)
517x275x214/241

Total Weight (kg)
58.6

BOX DESIGN

Box Type
C

Cover Type
SMF

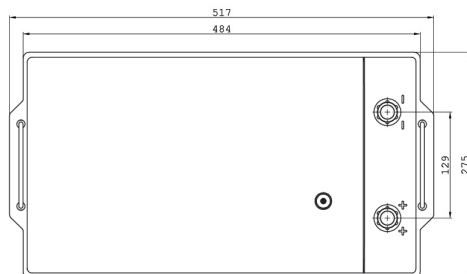
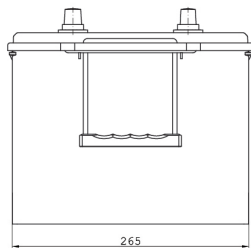
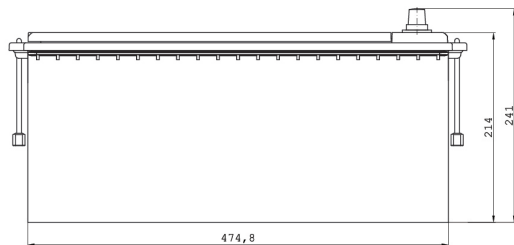
Colour
Black

Layout
3

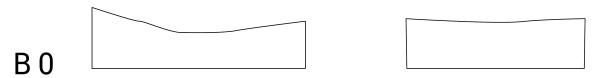
BHD
B0

Terminal
1

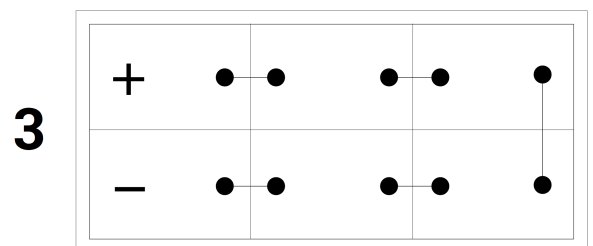
DRAWING



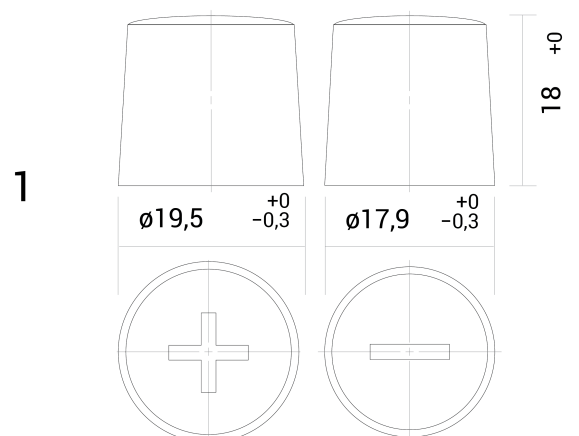
BHD



LAYOUT



TERMINAL



TECHNICAL DATASHEET

TAB EFB STOP&GO TRUCK SG24